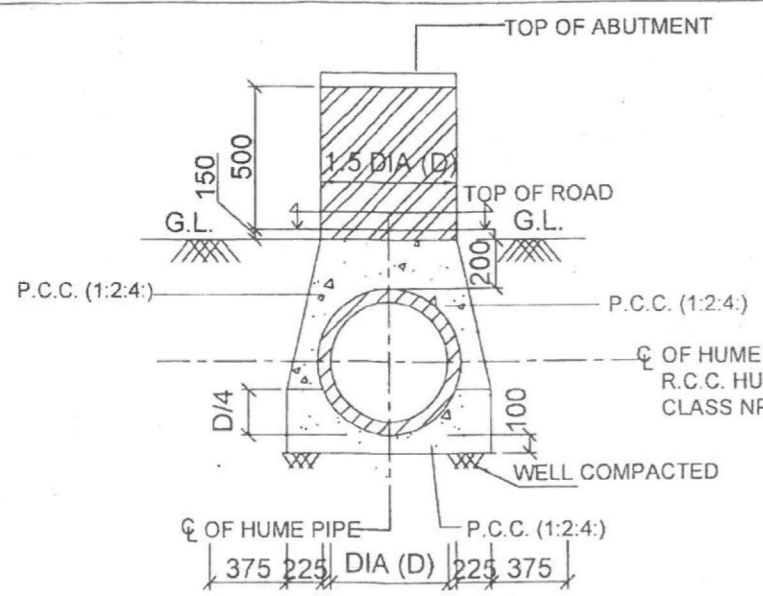


NOTES:-

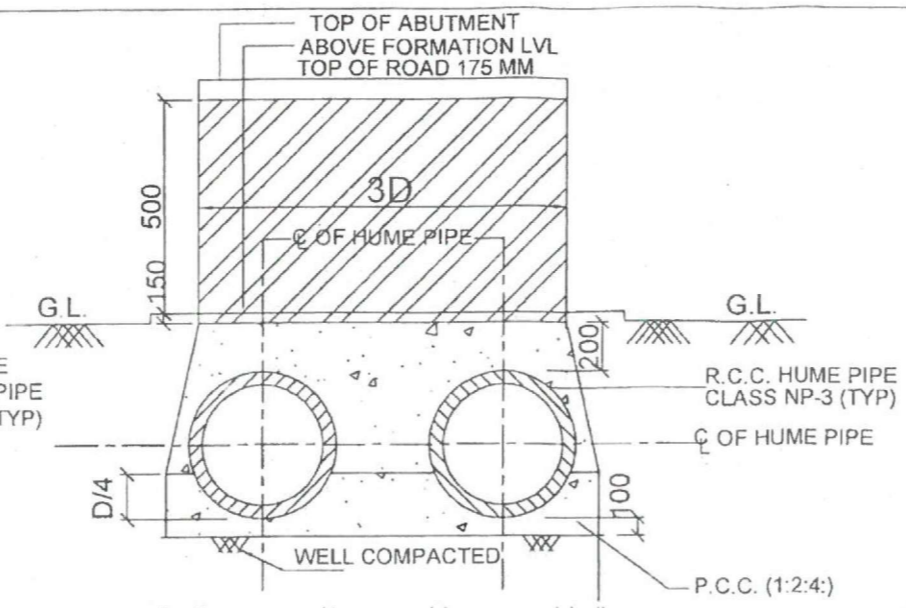
1. ALL DIMENSIONS ARE IN MM.
2. DO NOT SCALE THE DRG.
3. RCC HUME PIPE SHALL BE OF GRADE NP3.
4. CLASS 75 BRICKS SHALL BE USED.
5. CONCRETE MIX USE FOR COVERING RCC PIPE SHALL BE 1:2:4 (1 CEMENT: 2 COURSE SAND: 4 STONE AGGREGATE OF 20 MM NORMAL SIZE)
6. LEAN CONCRETE SHALL BE 1:4:8 (1 CEMENT: 4 COURSE SAND: 8 STONE AGGREGATE OF 40 MM NORMAL SIZE)
7. BRICK MASSONARY SHALL BE DONE USING CEMENT MORTAR (1CEMENT: 6 COURSE SAND)

IMP:

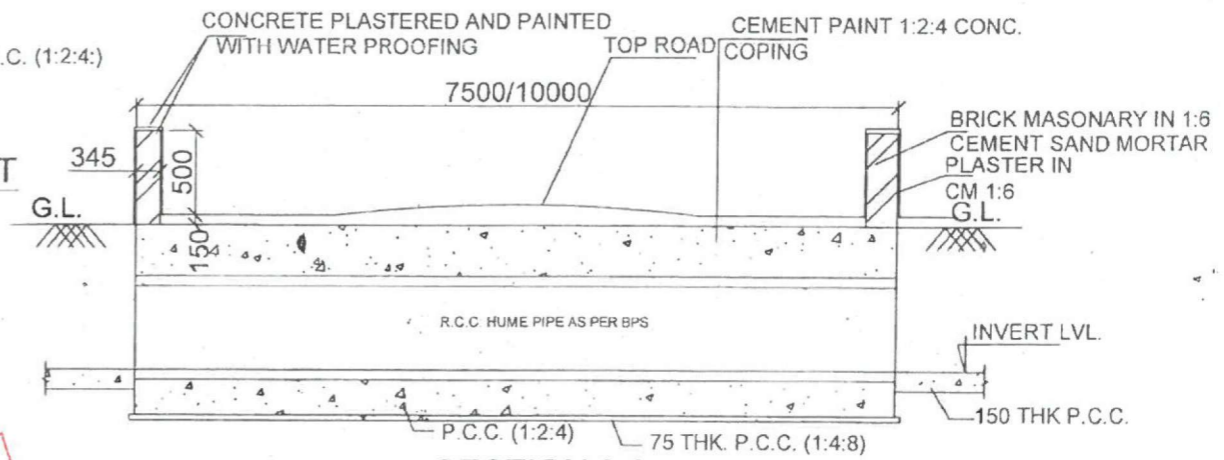
1. SUITABLE SECTION SHALL BE ADOPTED AS PER SITE CONDITIONS



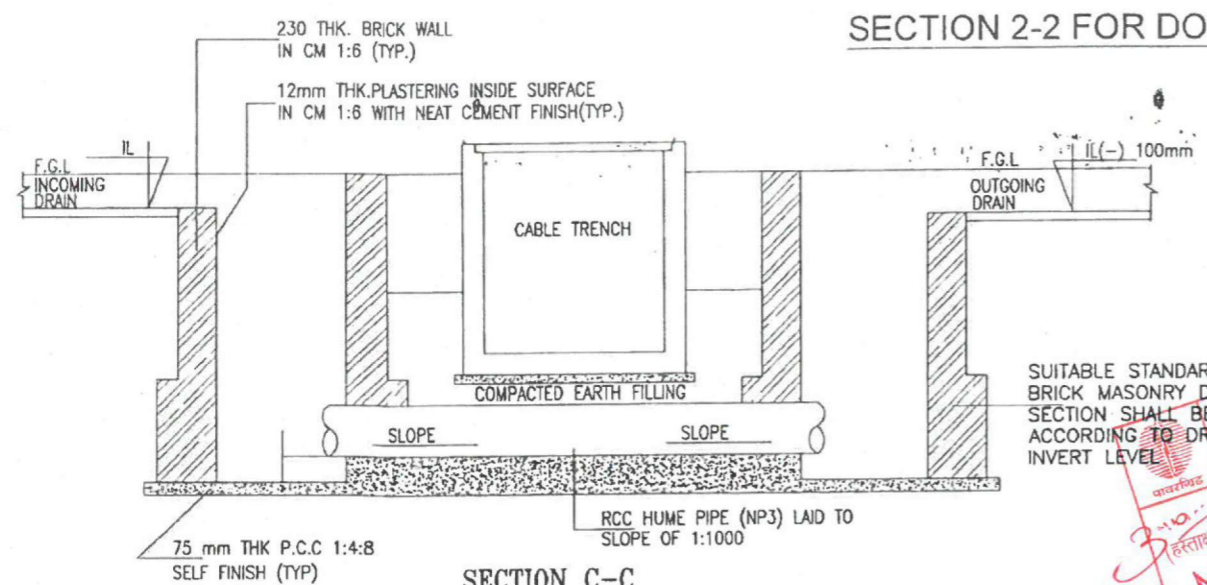
SECTION 1-1 FOR SINGLE PIPE



SECTION 2-2 FOR DOUBLE PIPE CULVERT

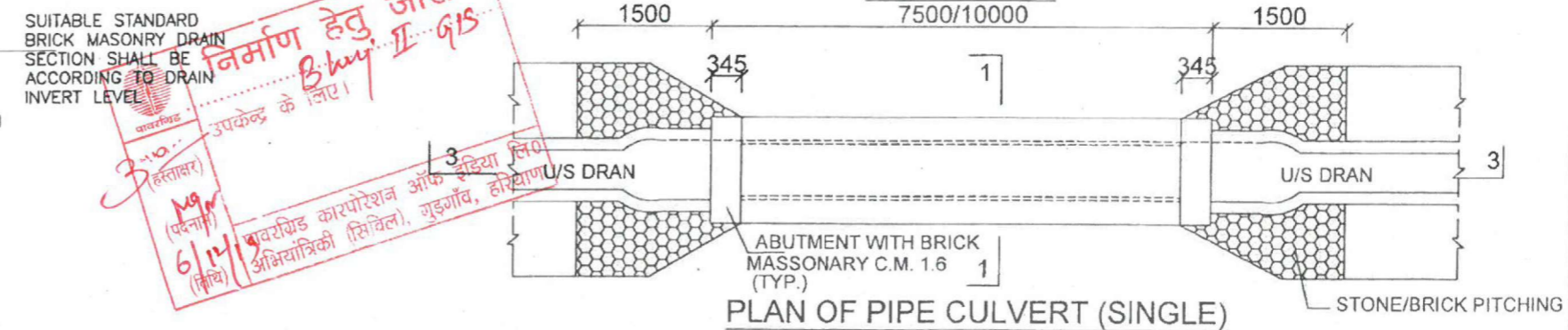


SECTION 3-3

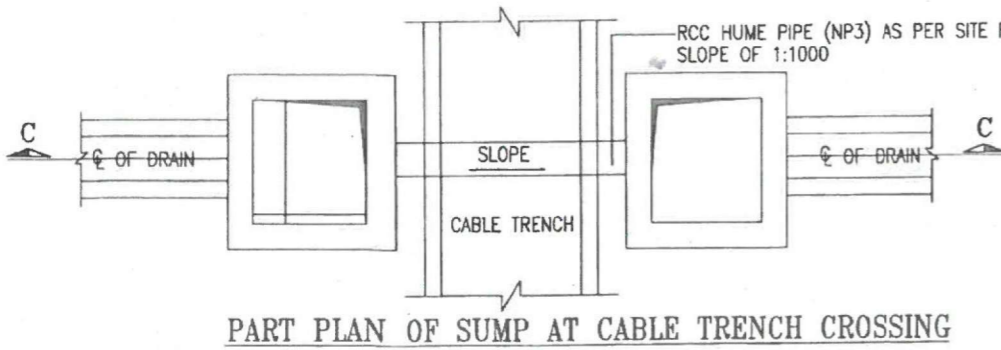


SECTION C-C

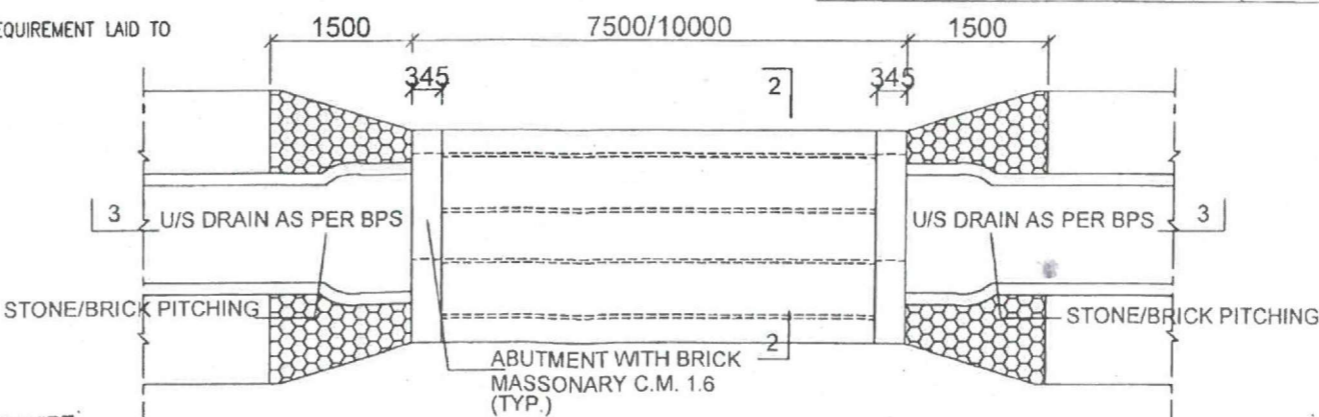
निर्माण हेतु जारी
 6/14/2016
 उपकेन्द्र के लिए।
 इन्फोसिस कारपोरेशन ऑफ इंडिया लिमिटेड
 अभियान्त्रिकी (सिविल), गुडगाँव, हरियाणा



PLAN OF PIPE CULVERT (SINGLE)



PART PLAN OF SUMP AT CABLE TRENCH CROSSING



PLAN OF PIPE CULVERT (DUBBLE)

POWER GRID CORPORATION
OF INDIA LIMITED
(A Government of India Enterprise)

TITLE:
STANDARD ROAD CULVERTS

SUB TITLE:
DETAIL OF ROAD CULVERTS

DRAWING NO:
C/ENGG/STD/ROAD CULVERTS/2016/01 OF 01

APPROVED BY ED (ENGG.TL-SS-CML) VIDE
NOTE REFERENCE NO. C/ENGG/STD.DRG.
Civil Works/03/2016 DTD. 20.12.2016

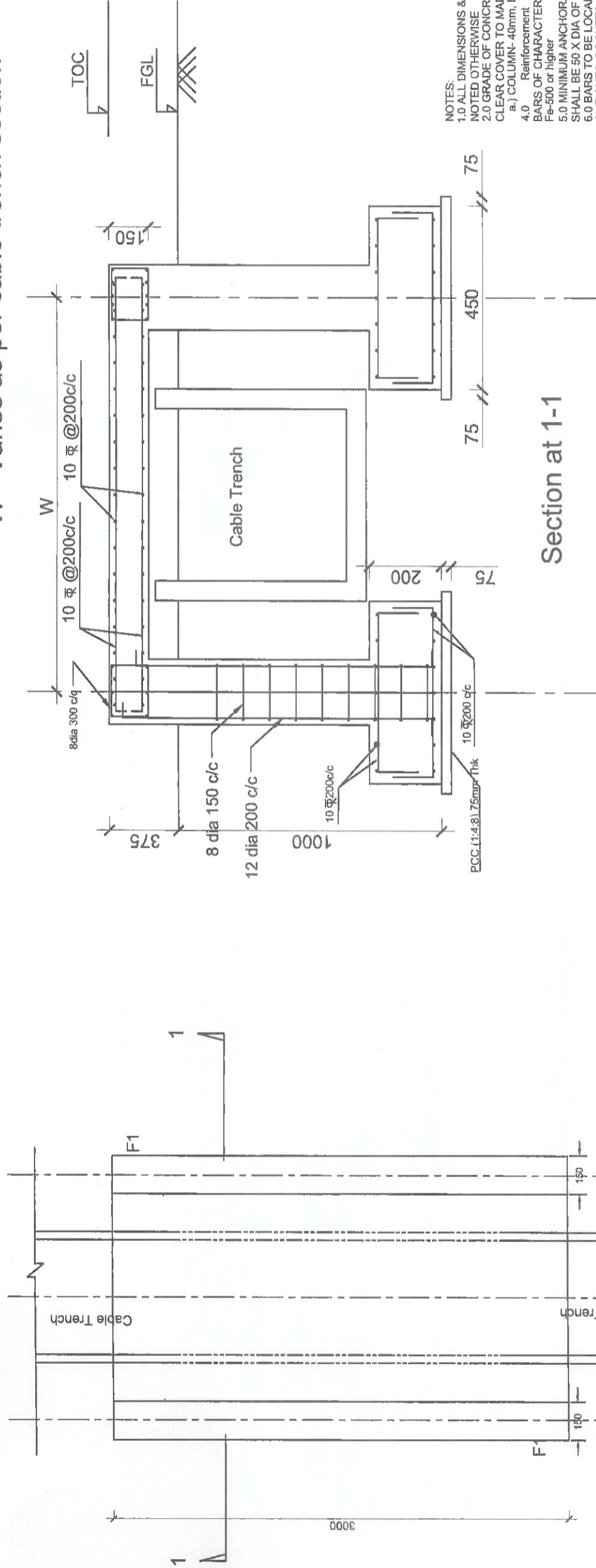
RELEASED FOR TENDER/CONSTRUCTION.

REV.	DESCRIPTION	PREP.	REVD.	REVD.	REVD.	REVD.	REVD.	APPD.	DATE
		JE(ENGG-CML)	ACDE (ENGG-CML)	CDE (ENGG-CML)	ASTT.GM(ENGG-CML)	AGM (ENGG-CML)	GM (ENGG-CML)		
0.	REVISED AS MARKED								

SCALE
NTS

REV
0

W - Varies as per cable trench section



- NOTES:
- 1.0 ALL DIMENSIONS & LEVELS ARE IN mm, UNLESS NOTED OTHERWISE
 - 2.0 GRADE OF CONCRETE IS 1:1.5:3 as per BOQ CLEAR COVER TO MAIN REINFORCEMENT:
 - a.) COLUMN- 40mm, b.) BEAM - 25MM, SLAB - 20mm
 - 4.0 Reinforcement BARS OF CHARACTERISTIC STRENGTH Fe-500 or higher
 - 5.0 MINIMUM ANCHORAGE LENGTH OF BARS SHALL BE 50 X DIA OF BARS
 - 6.0 BARS TO BE LOCALLY ADJUSTED TO AVOID CUT OUTS, POCKETS, INSERTS ETC.
 - 7.0 LAP LENGTH = 50 X DIA OF BARS IN STAGGERED POSITIONS
 - 8.0 THIS DRAWING SHALL BE READ IN CONJUNCTION WITH TECHNICAL SPECIFICATIONS

पावरग्रिड कौर्पोरेशन ऑफ इण्डिया लि.
(भारत सरकार का उद्यम)
POWER GRID CORPORATION OF INDIA LIMITED
(A GOVERNMENT OF INDIA ENTERPRISE)



PROJECT : 400/220kV Jatalpur Substation Satna Sub-Station
Title: Cable trench Road crossing

Released for Tender purpose.

Prepared by :	Date :	Verified :	Date :	Approved by :	Date :	Drawing no :	REV :
<i>[Signature]</i>		<i>[Signature]</i>		<i>[Signature]</i>		WRTS-II/Engg/Jatalpur/CT Crossing/01	0

Plan of Cable Trench Crossing